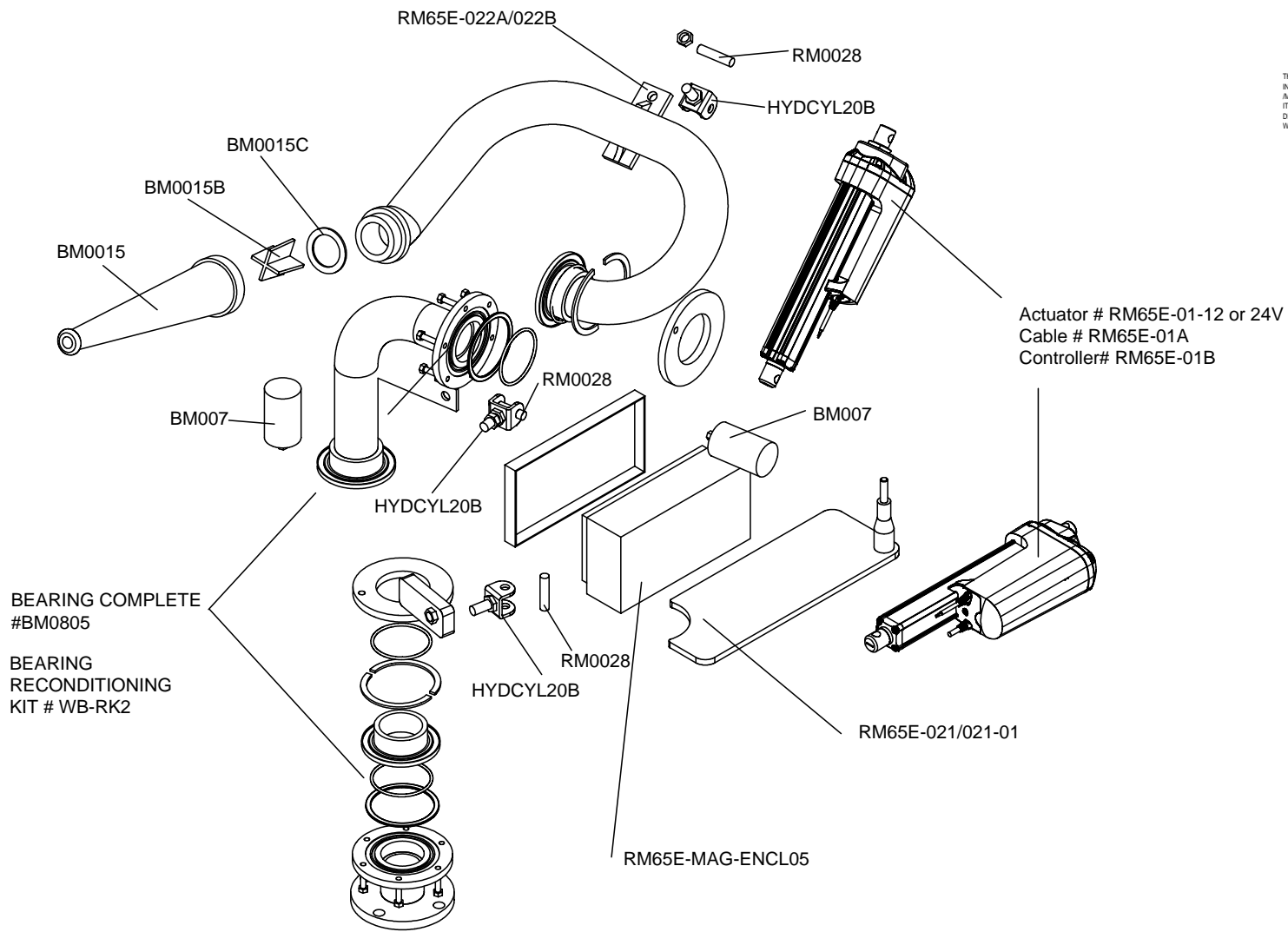

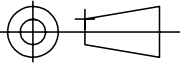


CONFIDENTIAL
 THIS DOCUMENT CONTAINS CONFIDENTIAL AND PROPRIETARY INFORMATION THAT IS THE PROPERTY OF MAGNUM AUSTRALIA MINEQUIPT PTY.LTD. IT SHALL NOT BE USED OR REPRODUCED OR ITS CONTENTS DISCLOSED IN WHOLE OR PART WITHOUT THE EXPRESS WRITTEN CONSENT OF MAGNUM AUSTRALIA MINEQUIPT PTY.LTD.



					ISSUE	REVISION	DRAWN	DATE	APPD.	EXCEPT WHERE NOTED ALL DIMENSIONS IN MILLIMETRES	 MAGNUM AUSTRALIA	35 PARKHURST DRIVE KNOXFIELD VICTORIA 3180 PHONE 9801 8433 FAX 9800 3240	
					DRAWINGS SUBJECT TO FINAL DESIGN UNLESS CONFIRMED					SHEET SIZE: A3	TOLERANCES UNLESS NOTED WHOLE DIMENSIONS ±0.50 ONE DECIMAL PLACE ±0.25 TWO DECIMAL PLACES ±0.10 ANGLES ±30'	SCALE NTS DRAWN DATE CHECKED DATE	EXPLODED VIEW FOR SPARE PARTS RM65E
CONFIRMED BY: SIGNATURE: DATE:										SHEET 1 OF 4 SHEETS	DRG. No. RM65E- EXPV-01		
1	2	3	4	5	6								

DRAWN TO AS 1100 SURFACE FINISH MATERIAL :

DRAWINGS SUBJECT TO FINAL DESIGN UNLESS CONFIRMED

SHEET 1 OF 4 SHEETS DRG. No. **RM65E- EXPV-01**